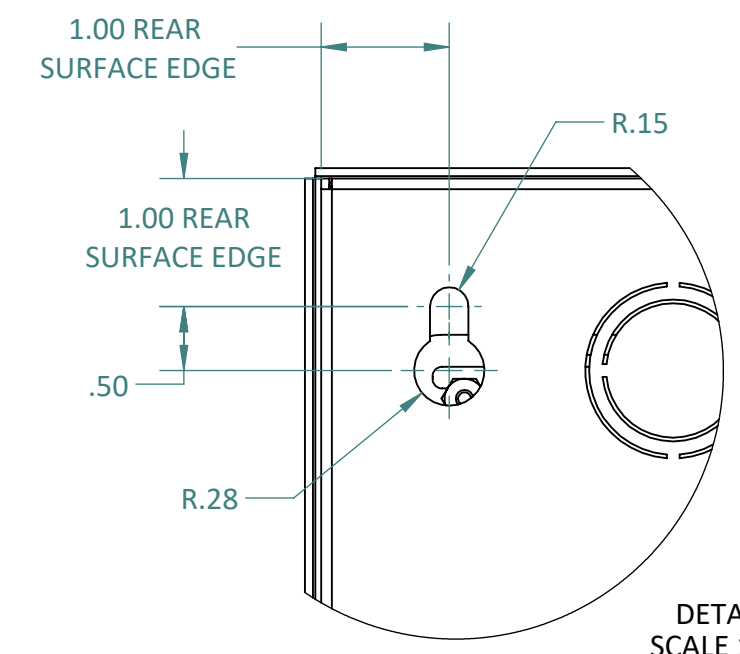
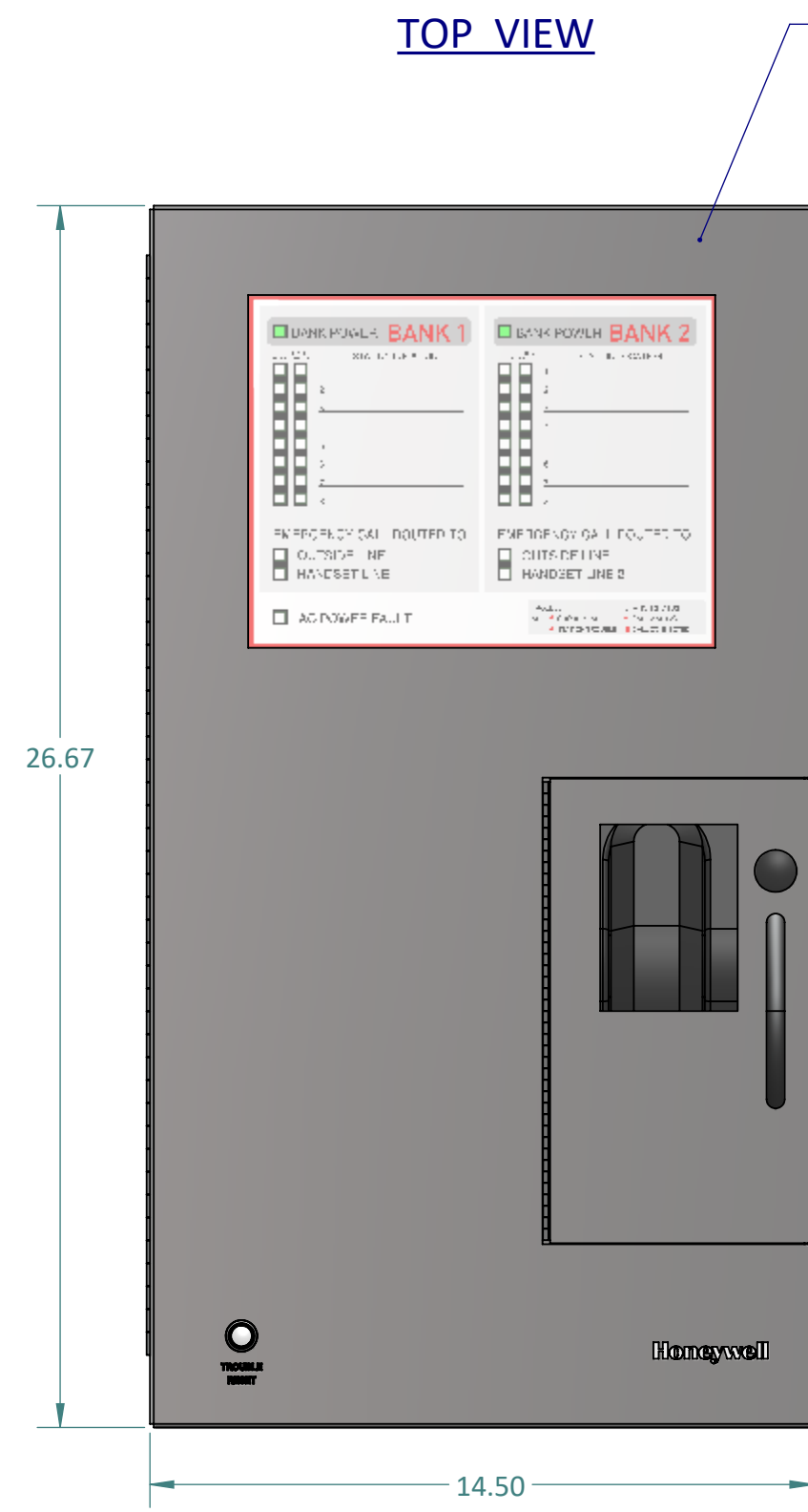


TOP VIEW

1.00" AND 1.25" CONDUIT KNOCKOUTS (3X)

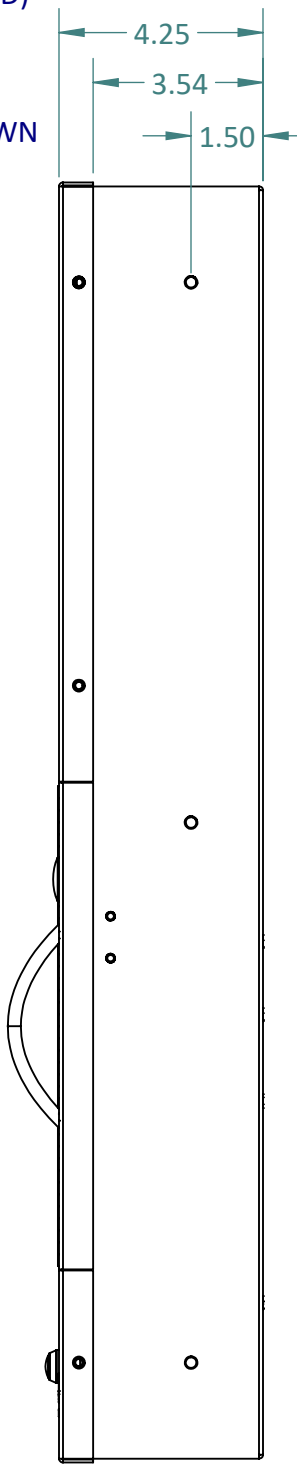


DETAIL B
SCALE 1 : 1.5

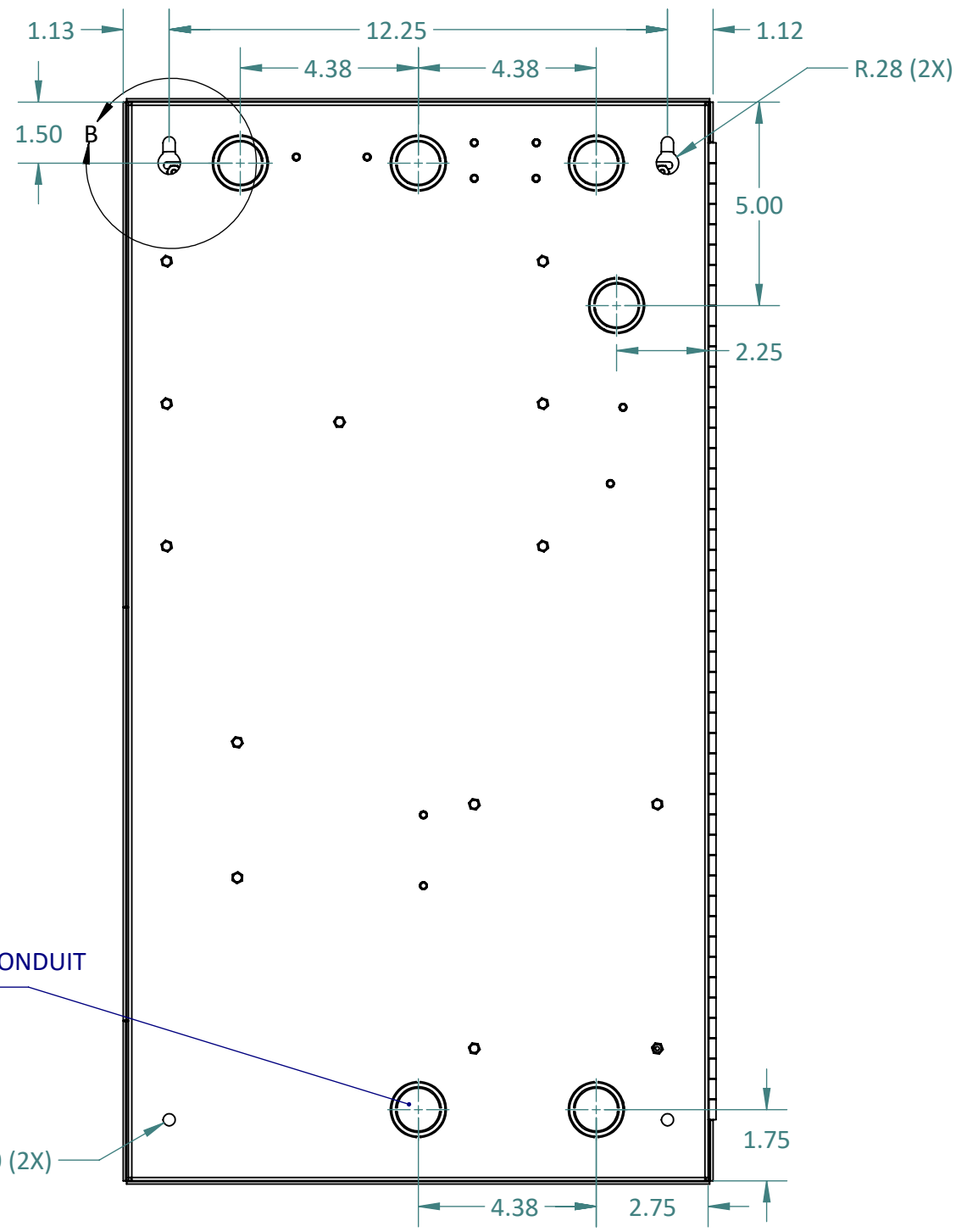


FRONT VIEW

ENCLOSURE (POWDER COATED) BLACK
COLOR CODE:
RAL 9005
[LIGHTER COLOR SHADE SHOWN FOR DETAIL CLARITY]



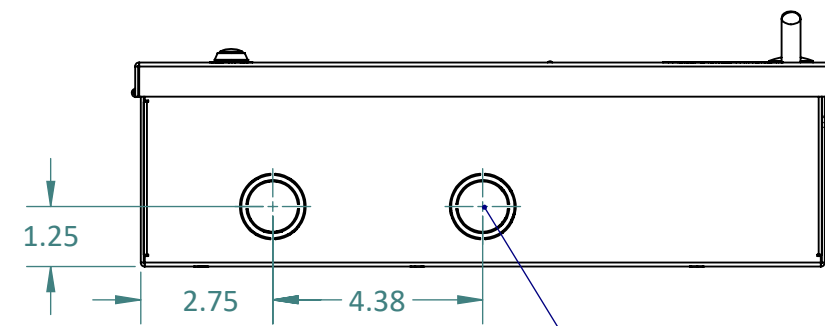
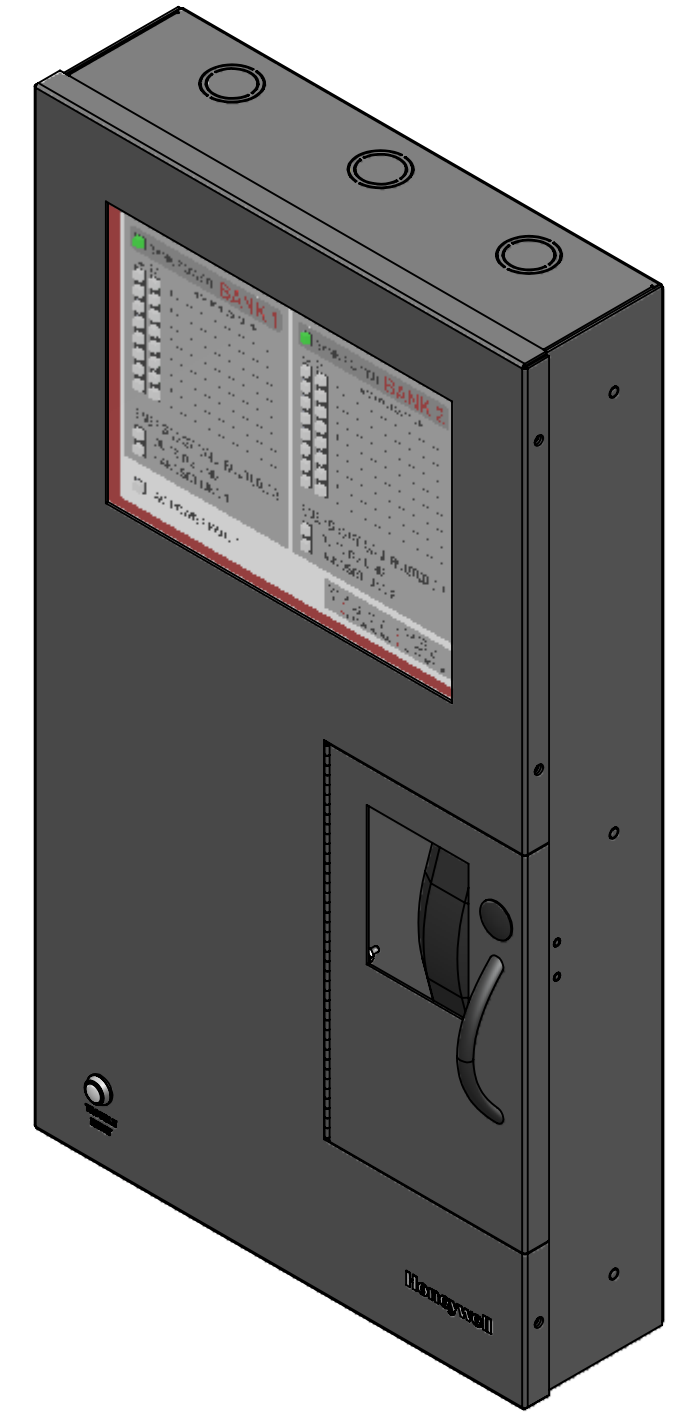
SIDE VIEW



REAR VIEW

1.00" AND 1.25" CONDUIT KNOCKOUTS (6X)

Ø.30 (2X)



BOTTOM VIEW

1.00" AND 1.25" CONDUIT KNOCKOUTS (2X)

MODEL(S):
HON-AOR-16

DESCRIPTION:
AREA OF REFUGE COMMAND UNIT WITH 16-STATION CAPACITY.
USE HON-AOR-TR16 TO FLUSH MOUNT.
ENCLOSURE IS PAINTED BLACK (RAL 9005).

1.0	MARKETING RELEASE	06/05/2024	K PATEL
REV.	DESCRIPTION	DATE	APPROVED
REVISIONS			
SPECIFICATIONS ARE SUBJECT TO CHANGE WITHOUT NOTICE	UNLESS OTHERWISE SPECIFIED: DIMENSIONS ARE IN INCHES TOLERANCES: DRILL HOLE: -0.00 / +0.003 ANGULAR: MACH ± 1° BEND ± 1° TWO PLACE DECIMAL ± 0.01 THREE PLACE DECIMAL ± 0.005	NAME	DATE
	DO NOT SCALE DRAWING	DRAWN	K PATEL 6/5/2024
	PROPRIETARY AND CONFIDENTIAL	CHECKED	C WONG 6/5/2024
	THE HONEYWELL TRADEMARK IS USED UNDER LICENSE FROM HONEYWELL INTERNATIONAL INC. HONEYWELL INTERNATIONAL INC. MAKES NO REPRESENTATION OR WARRANTIES WITH RESPECT TO THESE PRODUCTS. THESE PRODUCTS ARE MANUFACTURED BY TALK-A-PHONE, LLC, NILES, IL 60714, USA.	ENG APPR.	
© 2024 TALK-A-PHONE, LLC. ALL RIGHTS RESERVED. ANY REPRODUCTION IN PART OR AS A WHOLE WITHOUT THE WRITTEN PERMISSION OF TALK-A-PHONE, LLC IS PROHIBITED.	MFG APPR.		
HONEYWELL		TALK-A-PHONE, LLC 7530 N. NATCHEZ AVE., NILES, IL 60714 773-539-1100 INFO@TALKAPHONE.COM WWW.HONEYWELLAREAOFRREFUGE.COM	
SIZE	MODEL FILE NAME:	REV	
C	AOR-8-16_SERIES_ASSY	1.0	
SCALE: 1:4	WEIGHT:	SHEET 1 OF 1	