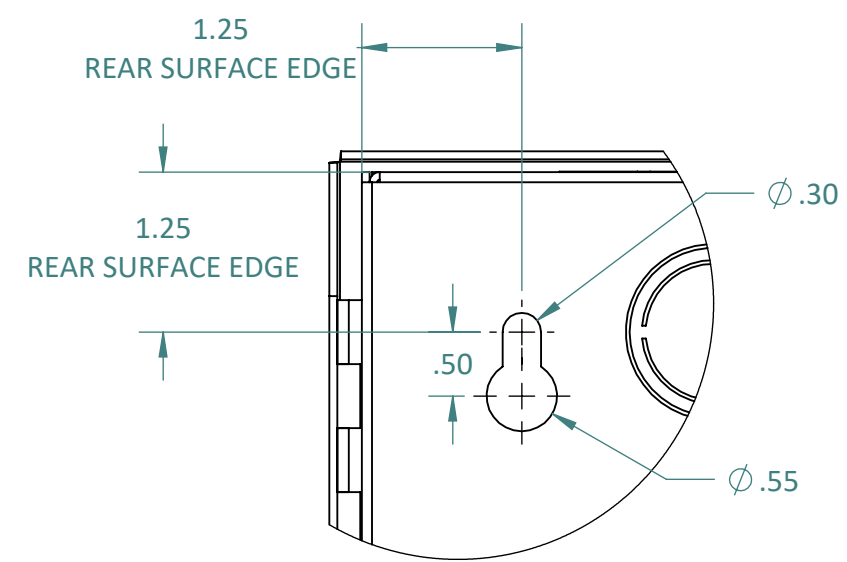
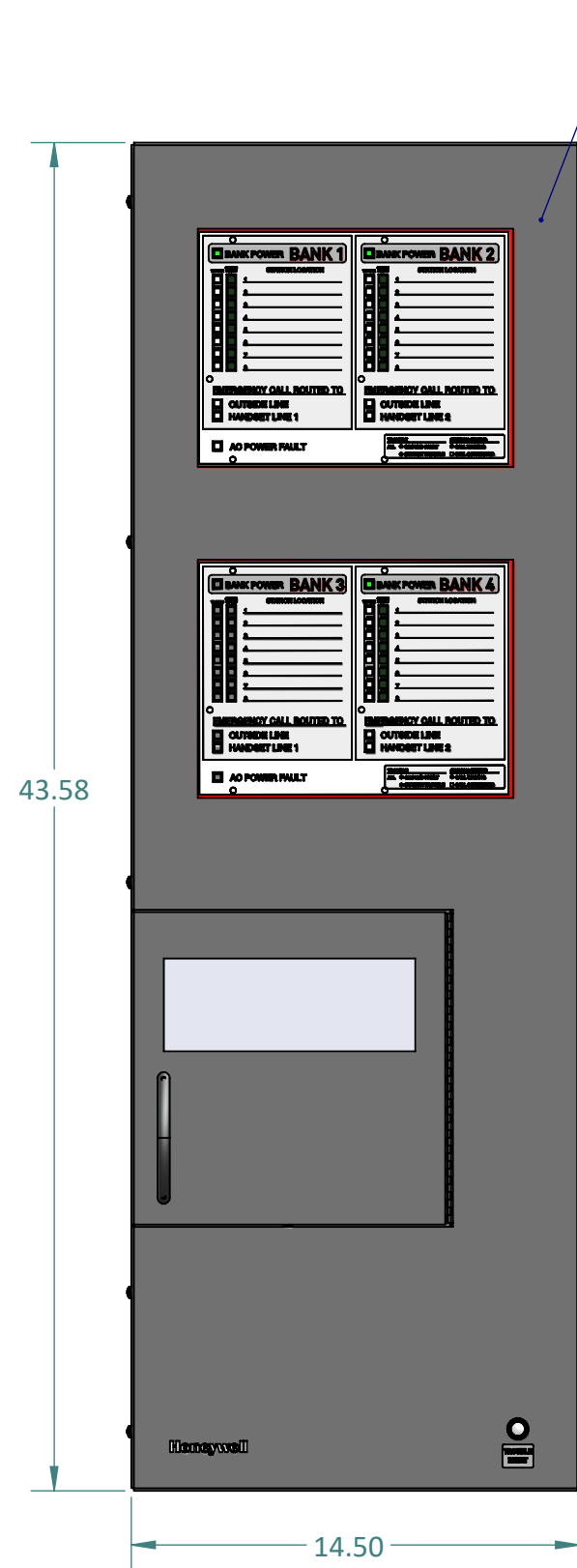


**TOP VIEW**

1.00" AND 1.25" CONDUIT KNOCKOUTS (2X)

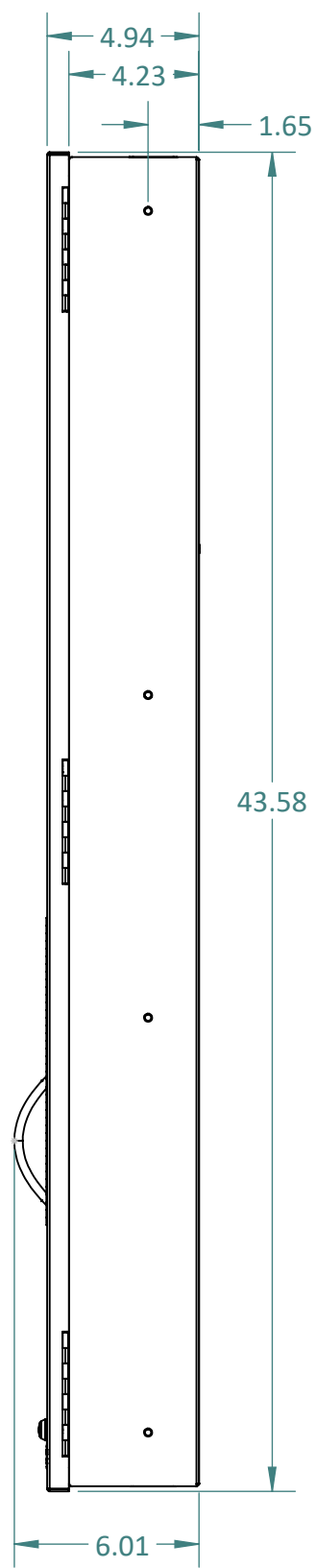


**DETAIL B**  
SCALE: 1 : 1.5

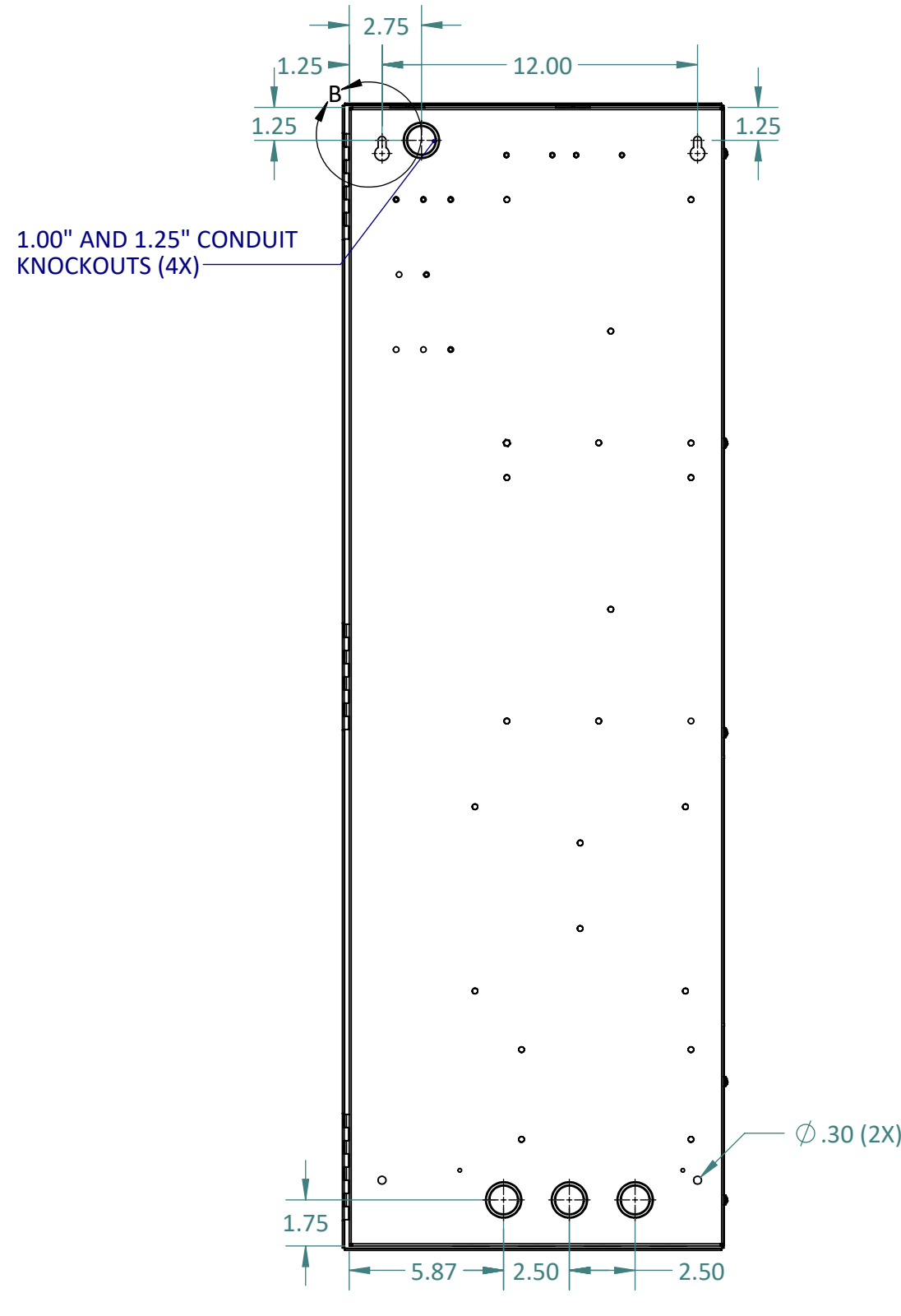


**FRONT VIEW**

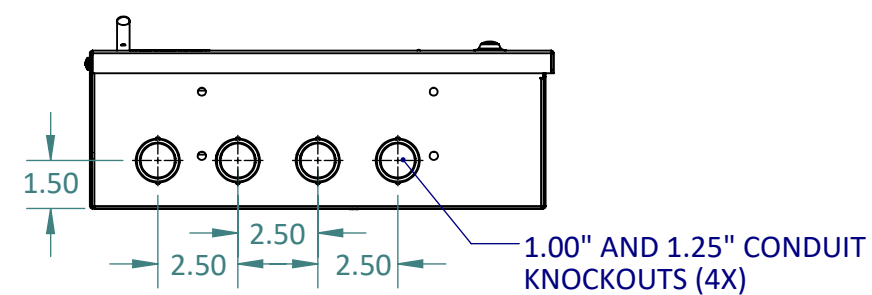
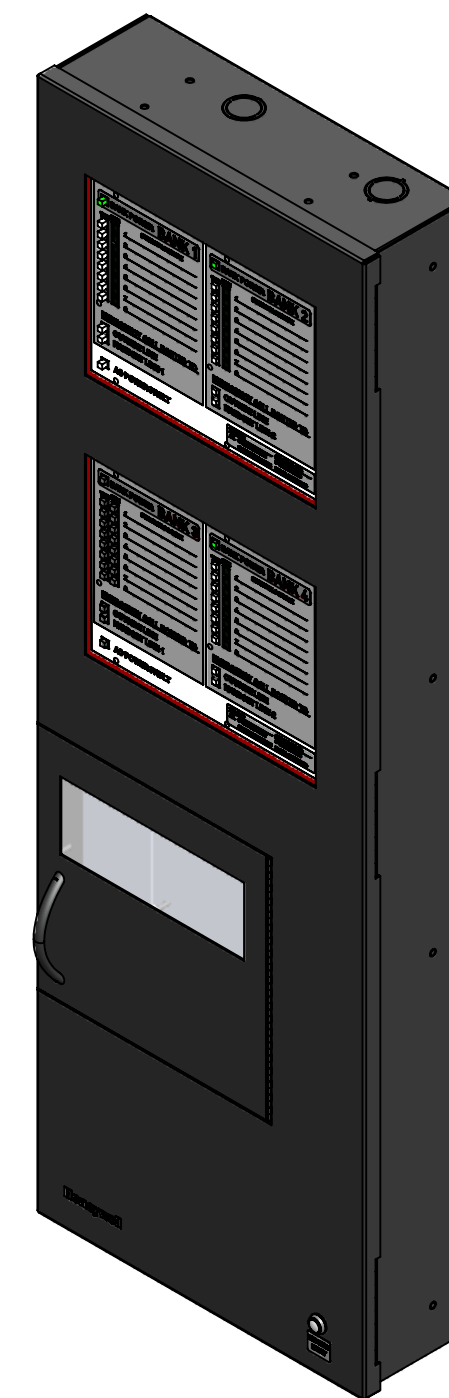
ENCLOSURE (POWDER COATED) BLACK  
COLOR CODE:  
RAL 9005  
[LIGHTER COLOR SHADE SHOWN FOR  
DETAIL CLARITY



**SIDE VIEW**



**REAR VIEW**



**BOTTOM VIEW**

1.00" AND 1.25" CONDUIT KNOCKOUTS (4X)

**MODEL(S):**  
HON-AOR-32

**DESCRIPTION:**  
AREA OF REFUGE COMMAND UNIT WITH 32-STATION CAPACITY.  
USE HON-AOR-TR32 TO FLUSH MOUNT.  
ENCLOSURE IS PAINTED BLACK (RAL 9005)

1.0	MARKETING RELEASE	06/04/2024	K PATEL	
REV.	DESCRIPTION	DATE	APPROVED	
REVISIONS				
SPECIFICATIONS ARE SUBJECT TO CHANGE WITHOUT NOTICE	UNLESS OTHERWISE SPECIFIED: DIMENSIONS ARE IN INCHES TOLERANCES: DRILL HOLE -0.00 / +0.003 ANGULAR: MACH ± 1° BEND ± 1° TWO PLACE DECIMAL ± 0.01 THREE PLACE DECIMAL ± 0.005	NAME	DATE	
	DO NOT SCALE DRAWING INTERPRET GEOMETRIC TOLERANCING PER: ASME Y14.5-2009	Q.A.		
	PROPRIETARY AND CONFIDENTIAL THE HONEYWELL TRADEMARK IS USED UNDER LICENSE FROM HONEYWELL INTERNATIONAL INC. HONEYWELL INTERNATIONAL INC. MAKES NO REPRESENTATION OR WARRANTIES WITH RESPECT TO THESE PRODUCTS. THESE PRODUCTS ARE MANUFACTURED BY TALK-A-PHONE, LLC, NILES, IL 60714, USA.	DRAWN K PATEL 6/4/2024	CHECKED C WONG 6/4/2024	ENG APPR. MFG APPR.
	© 2024 TALK-A-PHONE, LLC. ALL RIGHTS RESERVED. ANY REPRODUCTION IN PART OR AS A WHOLE WITHOUT THE WRITTEN PERMISSION OF TALK-A-PHONE, LLC IS PROHIBITED.			
		<b>Honeywell</b>		
		TALK-A-PHONE, LLC 7530 N. NATCHEZ AVE., NILES, IL 60714 773-539-1100 INFO@TALKAPHONE.COM WWW.HONEYWELLAREAOFRREFUGE.COM		
SIZE	MODEL FILE NAME:	REV		
<b>C</b>	AOR-32	<b>1.0</b>		
SCALE: 1:6	WEIGHT:	SHEET 1 OF 1		