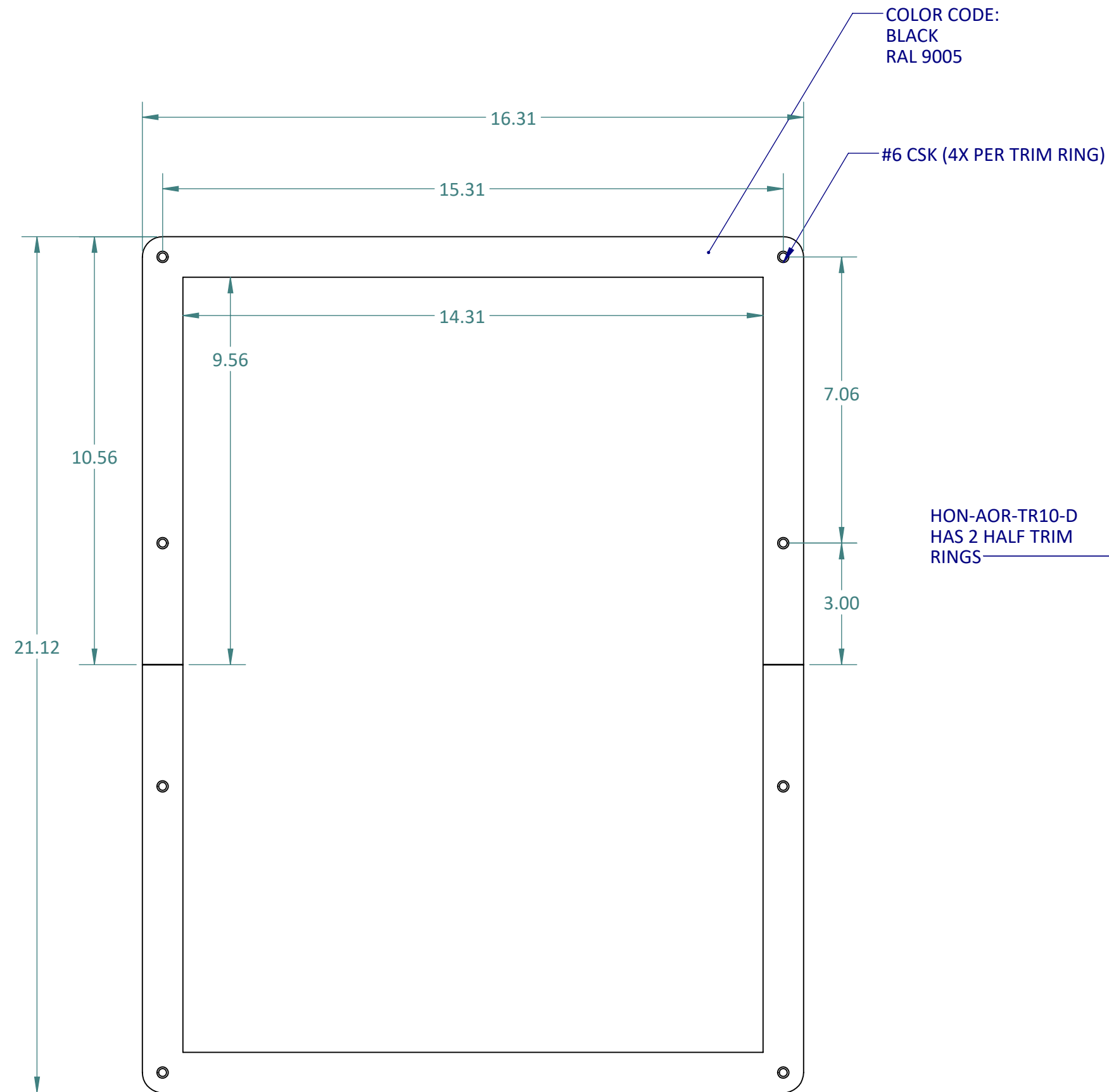
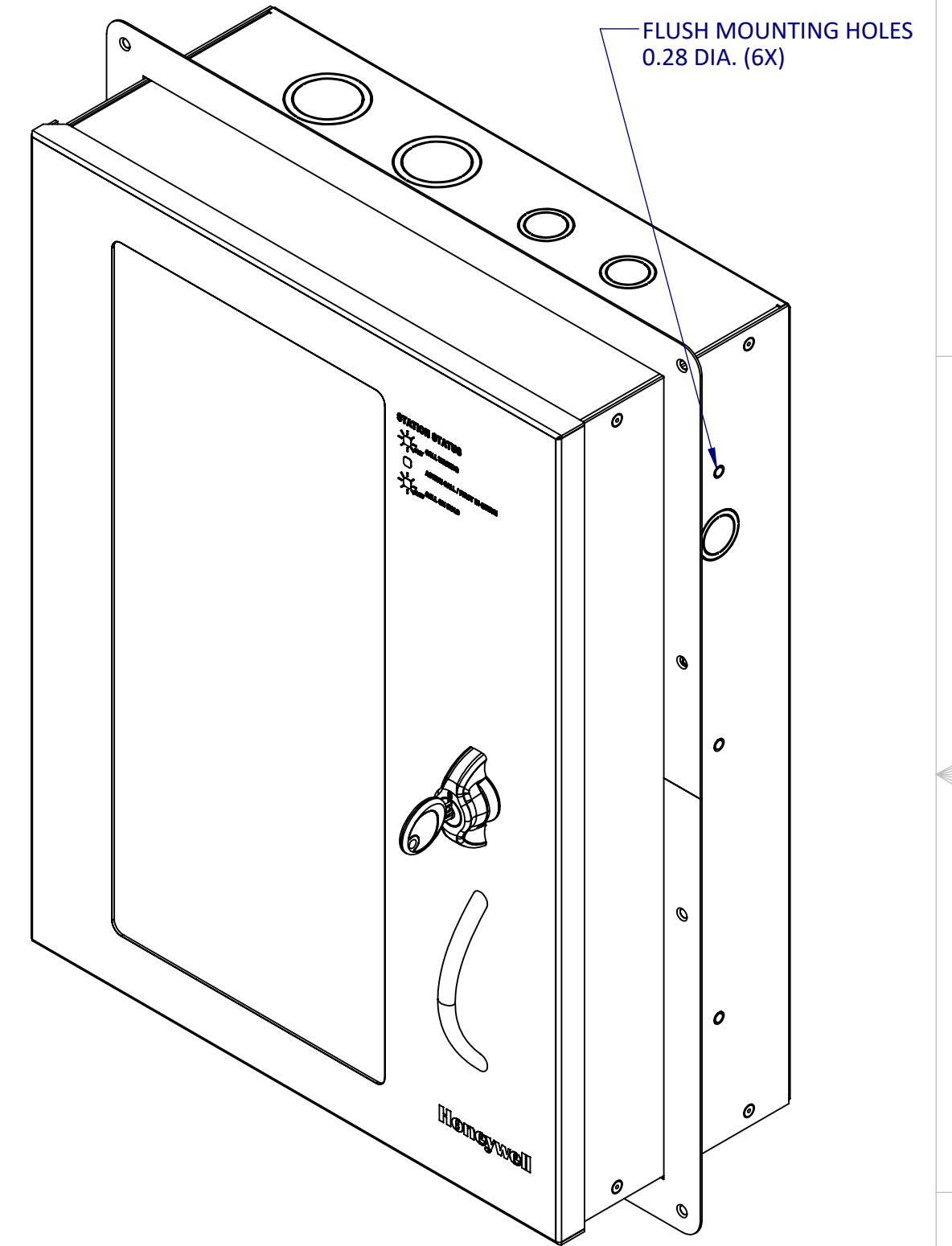


GENERAL NOTES:



FRONT VIEW



TRIM RING (2X) SHOWN WITH COMMAND UNIT FOR ILLUSTRATION

MODEL(S):
HON-AOR-TR10-D

DESCRIPTION:
FLUSH MOUNT TRIM RING FOR HON-AOR-5-D OR HON-AOR-10-D COMMAND UNIT SERIES. UNIT IS PAINTED BLACK (RAL 9005).

1.0	MARKETING RELEASE	05/07/2024	K PATEL
REV.	DESCRIPTION	DATE	APPROVED
REVISIONS			
SPECIFICATIONS ARE SUBJECT TO CHANGE WITHOUT NOTICE	UNLESS OTHERWISE SPECIFIED:	NAME	DATE
	DIMENSIONS ARE IN INCHES	DRAWN	K PATEL 5/7/2024
	TOLERANCES:	CHECKED	C WONG 5/7/2024
	DRILL HOLE -0.00 / +0.003	ENG APPR.	
ANGULAR: MACH ± 1° BEND ± 1°	MFG APPR.		
TWO PLACE DECIMAL ±0.01			
THREE PLACE DECIMAL ±0.005			
DO NOT SCALE DRAWING	INTERPRET GEOMETRIC TOLERANCING PER: ASME Y14.5-2009	Q.A.	
PROPRIETARY AND CONFIDENTIAL			
THE HONEYWELL TRADEMARK IS USED UNDER LICENSE FROM HONEYWELL INTERNATIONAL INC.			
HONEYWELL INTERNATIONAL INC. MAKES NO REPRESENTATION OR WARRANTIES WITH RESPECT TO THESE PRODUCTS. THESE PRODUCTS ARE MANUFACTURED BY TALK-A-PHONE, LLC, NILES, IL 60714, USA.			
© 2024 TALK-A-PHONE, LLC. ALL RIGHTS RESERVED. ANY REPRODUCTION IN PART OR AS A WHOLE WITHOUT THE WRITTEN PERMISSION OF TALK-A-PHONE, LLC IS PROHIBITED.			
Honeywell TALK-A-PHONE, LLC 7530 N. NATCHEZ AVE., NILES, IL 60714 773-539-1100 INFO@TALKAPHONE.COM WWW.HONEYWELLAREAOFREFUGE.COM		SIZE	REV
		C	1.0
SCALE: 1:3	WEIGHT:	SHEET 1 OF 1	