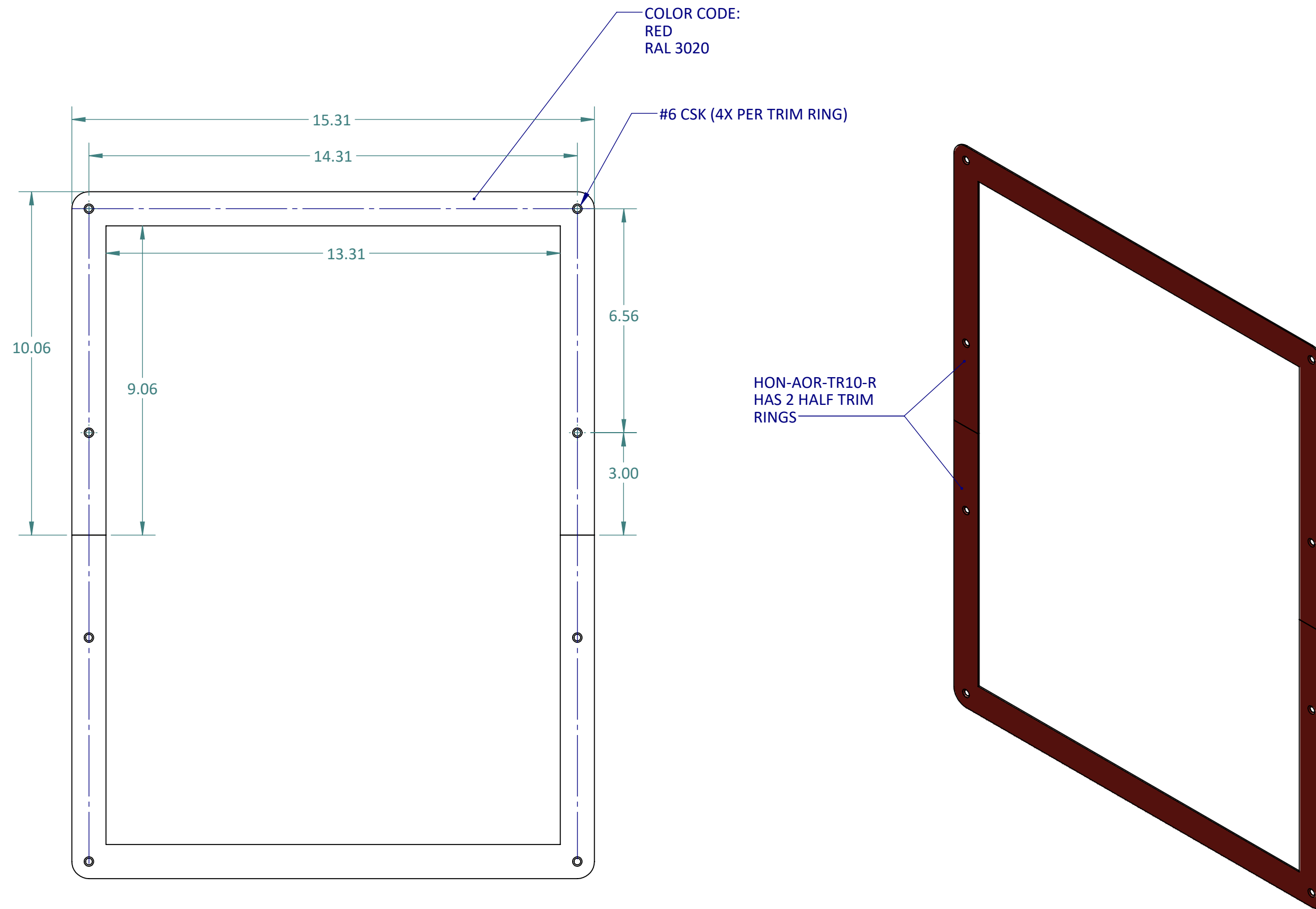
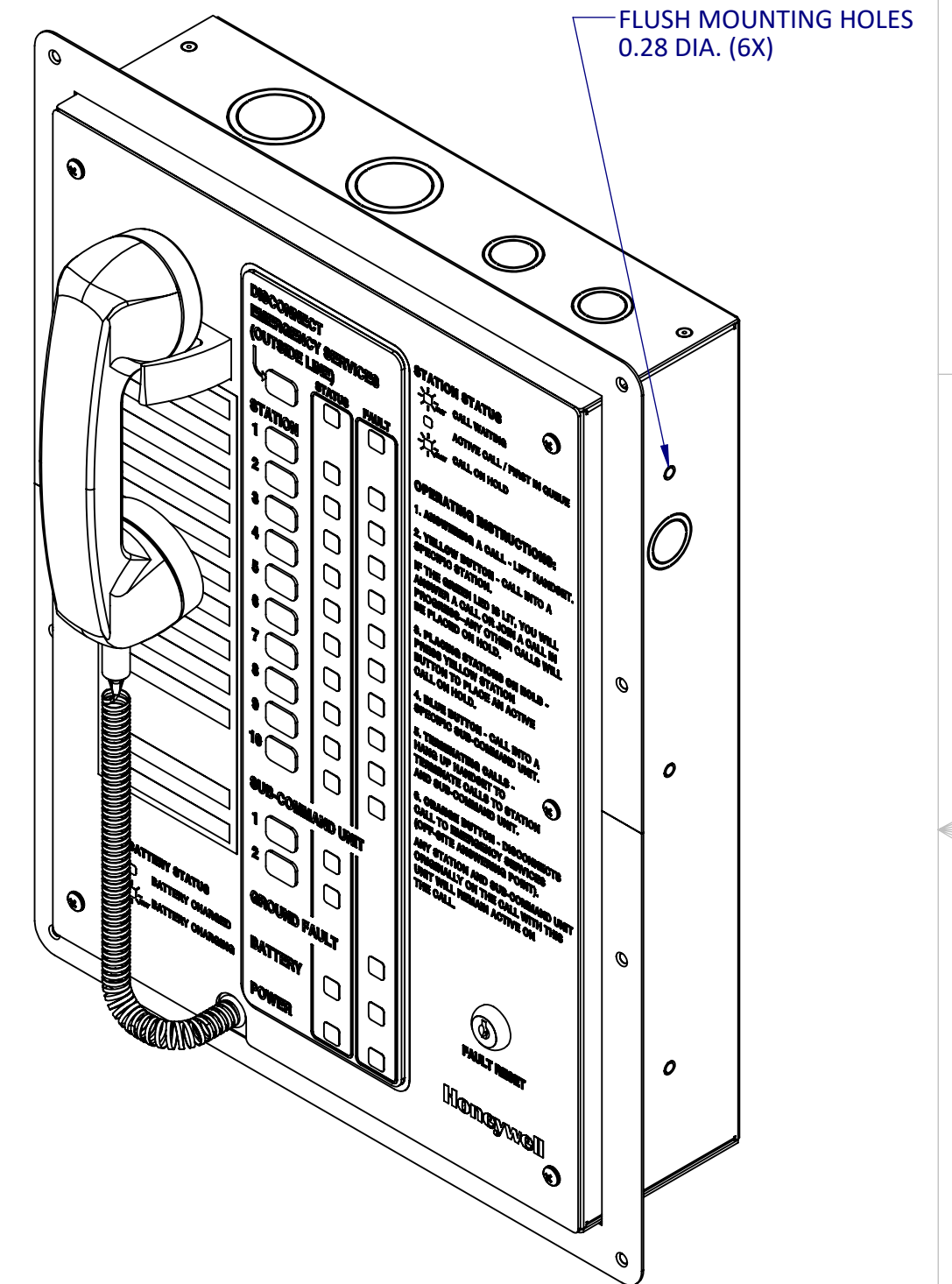


GENERAL NOTES:



FRONT VIEW



TRIM RING (2X) SHOWN WITH
COMMAND UNIT FOR ILLUSTRATION

MODEL(S):
HON-AOR-TR10-R

DESCRIPTION:
FLUSH MOUNT TRIM RING FOR HON-AOR-5 OR HON-AOR-10 COMMAND UNIT SERIES. UNIT IS PAINTED RED (RAL 3020).

1.0	MARKETING RELEASE	05/07/2024	K PATEL
REV.	DESCRIPTION	DATE	APPROVED
REVISIONS			
SPECIFICATIONS ARE SUBJECT TO CHANGE WITHOUT NOTICE	UNLESS OTHERWISE SPECIFIED: DIMENSIONS ARE IN INCHES TOLERANCES: DRILL HOLE -0.00 / +0.003 ANGULAR: MACH ± 1° BEND ± 1° TWO PLACE DECIMAL ± 0.01 THREE PLACE DECIMAL ± 0.005	NAME	DATE
		DRAWN	K PATEL 5/7/2024
		CHECKED	C WONG 5/7/2024
		ENG APPR.	
DO NOT SCALE DRAWING	INTERPRET GEOMETRIC TOLERANCING PER: ASME Y14.5-2009	Q.A.	
PROPRIETARY AND CONFIDENTIAL THE HONEYWELL TRADEMARK IS USED UNDER LICENSE FROM HONEYWELL INTERNATIONAL INC. HONEYWELL INTERNATIONAL INC. MAKES NO REPRESENTATION OR WARRANTIES WITH RESPECT TO THESE PRODUCTS. THESE PRODUCTS ARE MANUFACTURED BY TALK-A-PHONE, LLC, NILES, IL 60714, USA. © 2024 TALK-A-PHONE, LLC. ALL RIGHTS RESERVED. ANY REPRODUCTION IN PART OR AS A WHOLE WITHOUT THE WRITTEN PERMISSION OF TALK-A-PHONE, LLC IS PROHIBITED.		Honeywell TALK-A-PHONE, LLC 7530 N. NATCHEZ AVE., NILES, IL 60714 773-539-1100 INFO@TALKAPHONE.COM WWW.HONEYWELLAREAOFREFUGECOM	
SIZE	MODEL FILE NAME:	REV	
C	AOR-TRIM_RING_ASSY	1.0	
SCALE: 1:3	WEIGHT:	SHEET 1 OF 1	