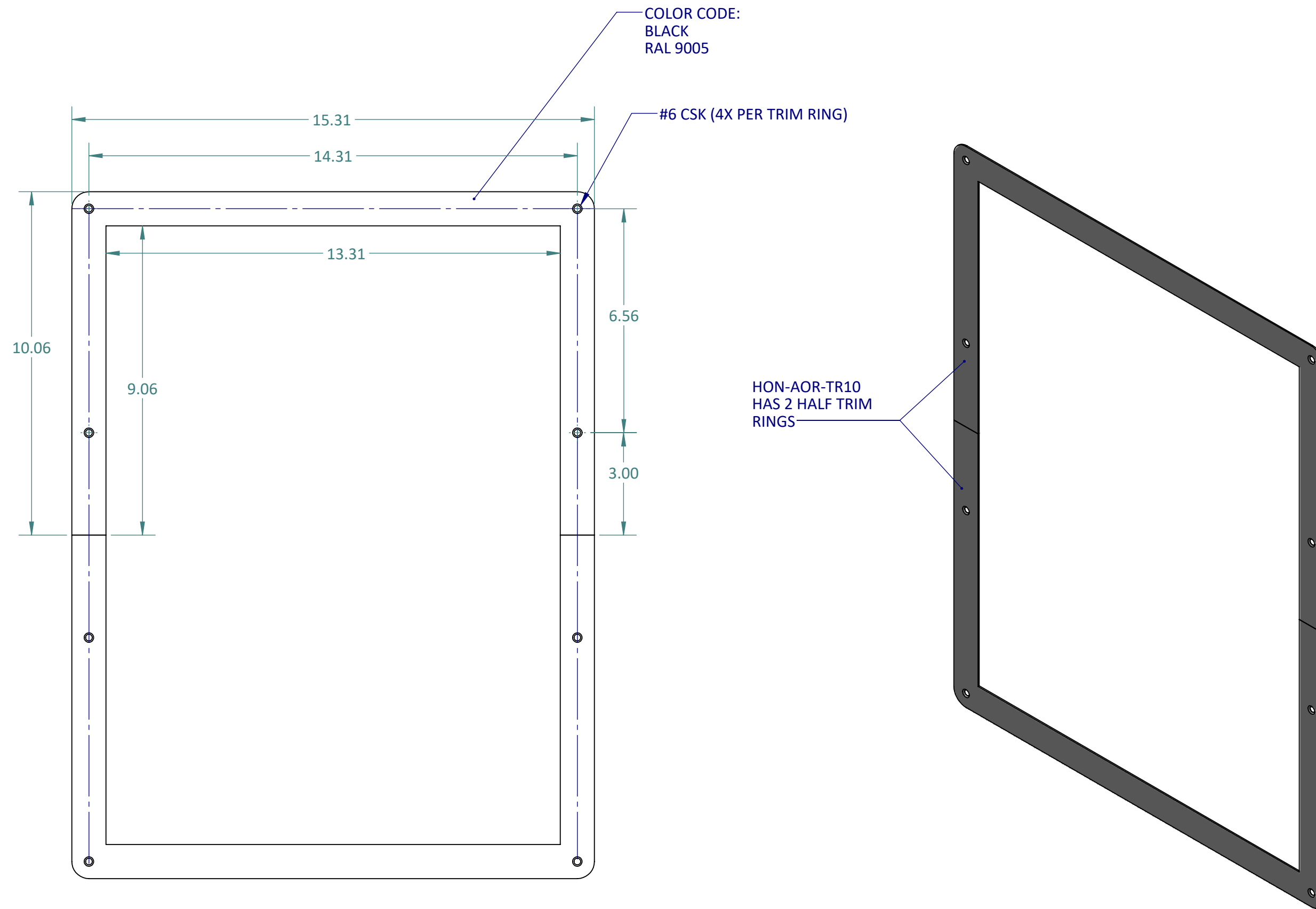
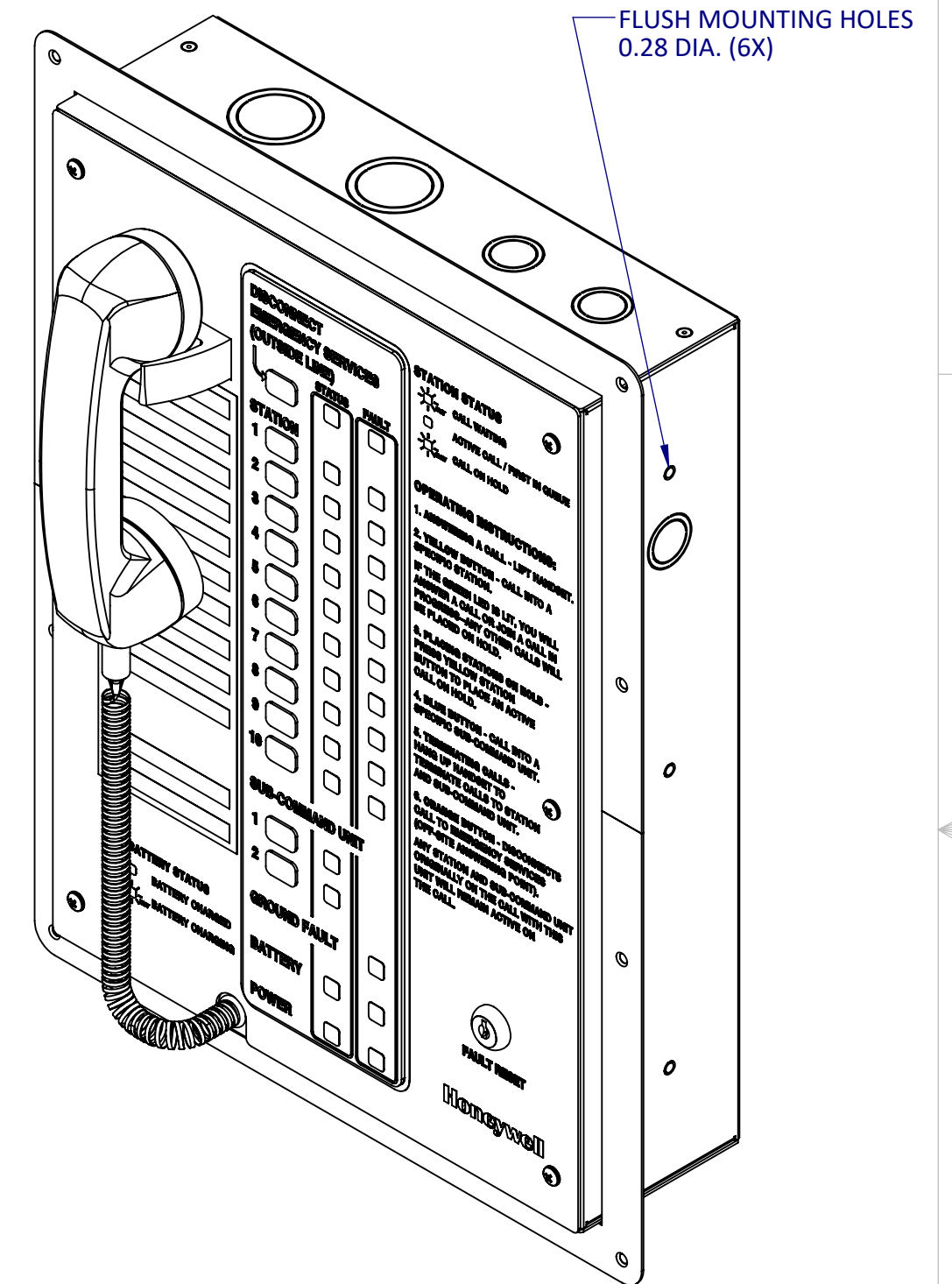


GENERAL NOTES:



FRONT VIEW



TRIM RING (2X) SHOWN WITH  
COMMAND UNIT FOR ILLUSTRATION

**MODEL(S):**  
HON-AOR-TR10

**DESCRIPTION:**  
FLUSH MOUNT TRIM RING FOR HON-AOR-5 OR HON-AOR-10 COMMAND  
UNIT SERIES. UNIT IS PAINTED BLACK (RAL 9005).

1.0	MARKETING RELEASE	05/07/2024	K PATEL
REV.	DESCRIPTION	DATE	APPROVED
REVISIONS			
SPECIFICATIONS ARE SUBJECT TO CHANGE WITHOUT NOTICE	UNLESS OTHERWISE SPECIFIED: DIMENSIONS ARE IN INCHES TOLERANCES: DRILL HOLE -0.00 / +0.003 ANGULAR: MACH ± 1° BEND ± 1° TWO PLACE DECIMAL ± 0.01 THREE PLACE DECIMAL ± 0.005	NAME	DATE
		DRAWN	K PATEL 5/7/2024
		CHECKED	C WONG 5/7/2024
		ENG APPR.	
DO NOT SCALE DRAWING	INTERPRET GEOMETRIC TOLERANCING PER: ASME Y14.5-2009	Q.A.	
<b>PROPRIETARY AND CONFIDENTIAL</b> THE HONEYWELL TRADEMARK IS USED UNDER LICENSE FROM HONEYWELL INTERNATIONAL INC. HONEYWELL INTERNATIONAL INC. MAKES NO REPRESENTATION OR WARRANTIES WITH RESPECT TO THESE PRODUCTS. THESE PRODUCTS ARE MANUFACTURED BY TALK-A-PHONE, LLC, NILES, IL 60714, USA. © 2024 TALK-A-PHONE, LLC. ALL RIGHTS RESERVED. ANY REPRODUCTION IN PART OR AS A WHOLE WITHOUT THE WRITTEN PERMISSION OF TALK-A-PHONE, LLC IS PROHIBITED.		<b>Honeywell</b> TALK-A-PHONE, LLC 7530 N. NATCHEZ AVE., NILES, IL 60714 773-539-1100 INFO@TALKAPHONE.COM WWW.HONEYWELLAREAOFREFUGECOM	
SIZE <b>C</b>	MODEL FILE NAME: AOR-TRIM_RING_ASSY	REV <b>1.0</b>	
SCALE: 1:3	WEIGHT:	SHEET 1 OF 1	